



THE CONNER GROUP

Aerial Splicing Van (ASV)

35' NON-INSULATED SPLICING VAN



- 35' Working Height
- 350 LBS Basket Capacity
- Non-Insulated

Ford Transit or Mercedes Sprinter

- Rear Splicing doors
- Heat / A/C
- Built in Shelving



VERSALIFT VANTEL-29-NE

35' NON-INSULATED, SPLICING PACKAGE



VANTEL-29-NE

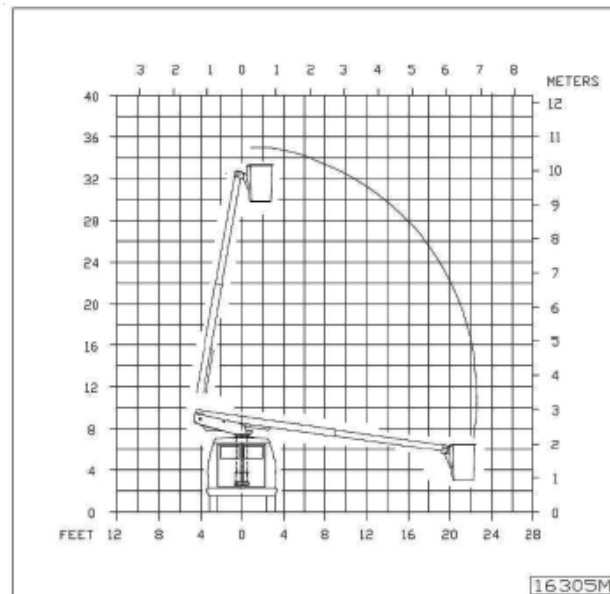
Telescopic Aerial Device

GENERAL SPECIFICATIONS

GENERAL SPECIFICATIONS	VANTEL-29-NE
Horizontal Reach	22 ft. 7 in. (6.88m)
Standard Platform Capacity	300 lbs. (136kg)
Outer Boom Travel	-8° to +80°
Inner Boom Extension	116 in. (2.95m)
Height to Bottom of Platform	29 ft. 10 in. (9.09m)
Working Height	34 ft. 10 in. (10.6m)
Stowed Travel Height	9'-9" (2.97m)
Weight of Lift W/ Mounting Hardware	1530 lbs. (694 kg)
Operating Pressure	2250 PSI (158 KG/CM ²)
Flow Rate	2 GPM (8 lpm)
Filtration	10 micron return/ 100 mesh suction
System Type	Open Center

OPTIONS:

- EMERGENCY LOWERING
- BACK UP PUMP
- PNEUMATIC CIRCUIT(S) TO THE PLATFORM
- VARIOUS PLATFORMS, DOORS AND COVERS
- BUMPER EXTENSIONS
- 120 VOLT RECEPTACLE AT PLATFORM
- MANUAL PLATFORM POSITIONER
- BRIDGEMOUNT
- ELECTRIC DRIVE



VANTEL-29-NE
Platform Travel

NOTE:

1. Specifications might vary without prior notification
2. Required GVWR can vary significantly with chassis, lift mounting location, service body, accessories, and desired payload